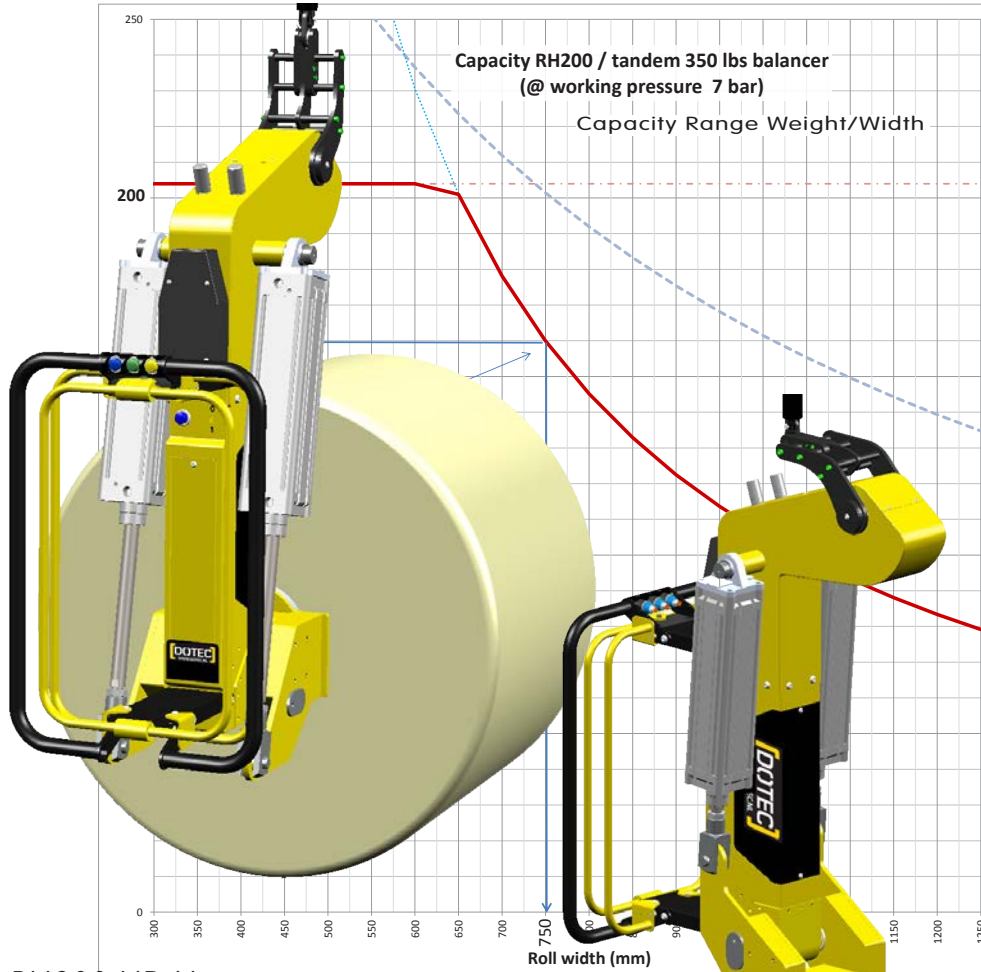




Flexible Packaging Roll Handling

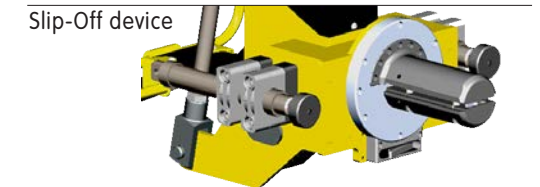
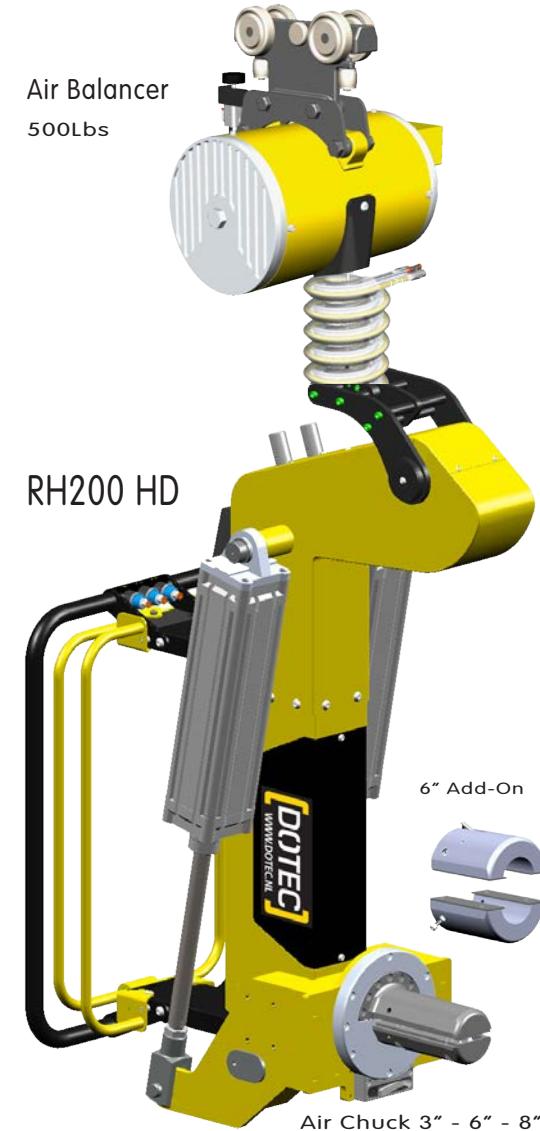


RH200 HD New Rotary Action Roll Handler
For Heavy & Large Diameter Rolls
- Up to 200Kg/450Lbs at 600/24" Width Roll Cap.

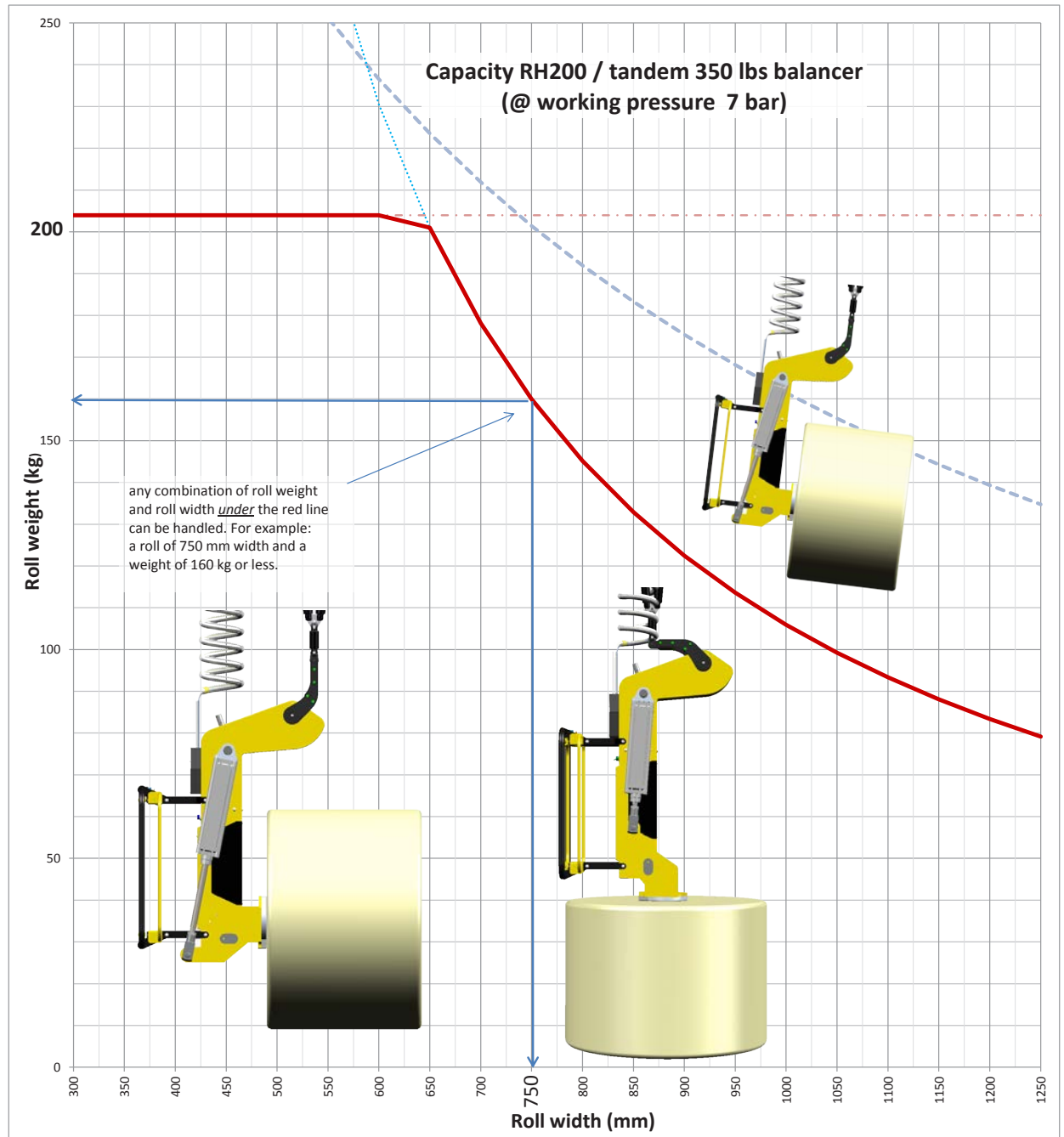
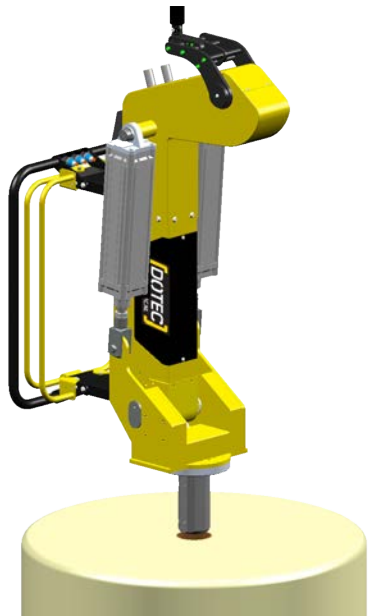
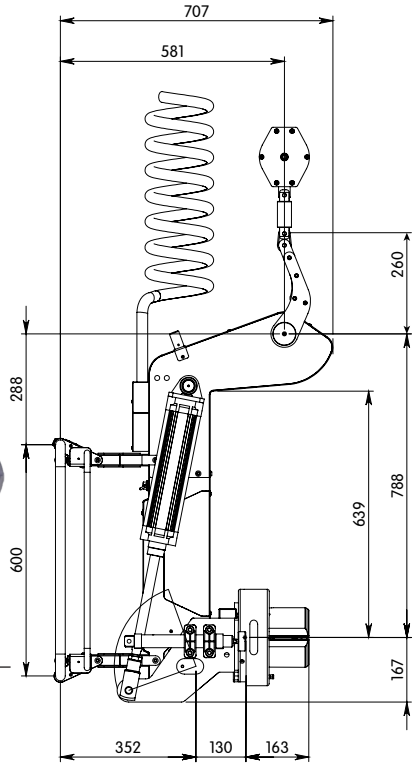
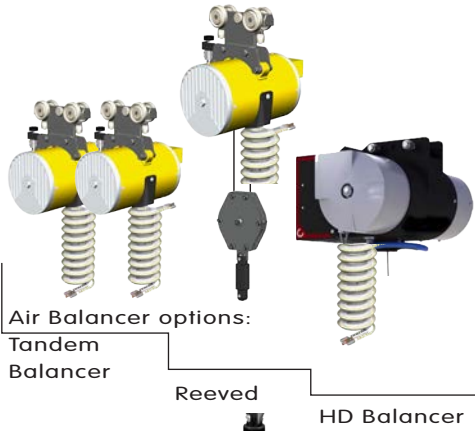
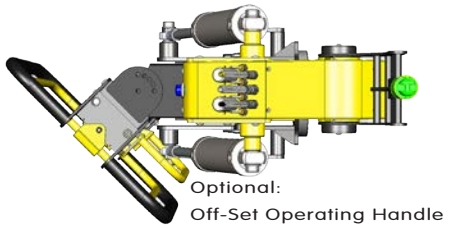
Watch Yuoutube video :
<http://youtu.be/xtx4PUScVlg>

Rotary Action

Dotec Single Action (Vertical-Vertical) and **Rotary Action** (Tilting & Turning) Roll handlers are available for applications from 14Kg up to 250Kg (30/600Lbs) Roll-Weight. They are designed for ergonomic and efficient roll handling solutions in the Flexible Packaging, Labeling and Nonwoven (Hygiene) markets.



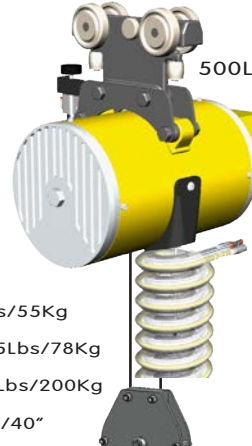
Pushes the chuck out of the core.
(Horizontal Process)





2 X 350Lbs/155Kg Balancer

- Tandem weight 155Lbs/70Kg
- Roll Handler weight 175Lbs/78Kg
- Max. Roll Lift Cap. 450Lbs/200Kg
- Vertical Travel 2000mm/80"



500Lbs/155Kg Balancer

- Balancer weight 125Lbs/55Kg
- Roll Handler weight 175Lbs/78Kg
- Max. Roll Lift Cap. 450Lbs/200Kg
- Vertical Travel 1000mm/40"



700Lbs/320Kg Balancer

- Balancer weight 100Lbs/45Kg
- Roll Handler weight 175Lbs/78Kg
- Max. Roll Lift Cap. 450Lbs/200Kg
- Vertical Travel 1200/2000 mm/48"-75"

Air Balancer options:

Tandem Balancer:

Air Balancer options:

Why more options for the balancers?

Moving around with 200Kg/450Lbs rolls is serious handling. Any extra weight must be avoided to make this a comfortable process. Roll Handler + Balancer weight is accounted for in these three options.

The options are related to the required vertical travel (stroke) and minimizing the total weight of the configuration.

Option A:

- Tandem 350Lbs/155Kg X 2 = 700Lbs/310Kg Cap. Balancer

Option B:

- Reeved 500Lbs/225Kg X 2 = 1000Lbs/450Kg Cap Balancer

Option C:

- HD Balancer 700Lbs/320Kg Cap. Balancer

Reeved Balancer:



HD Balancer:

What's best?:

All three options provide a comfortable ergonomic process. In many applications a vertical travel of 1000/1200mm (40"-48") is more than adequate. Many applications are based on only horizontal pick up and vertical set down, e.g. on a pallet. Than the reeved version (Option B) is a fine configuration.

If higher stack- or pick up heights are required, a larger vertical travel must be taken in account.

A & C are best options for higher stack requirements. At 1200mm/48" travel, option C is the most economical configuration.